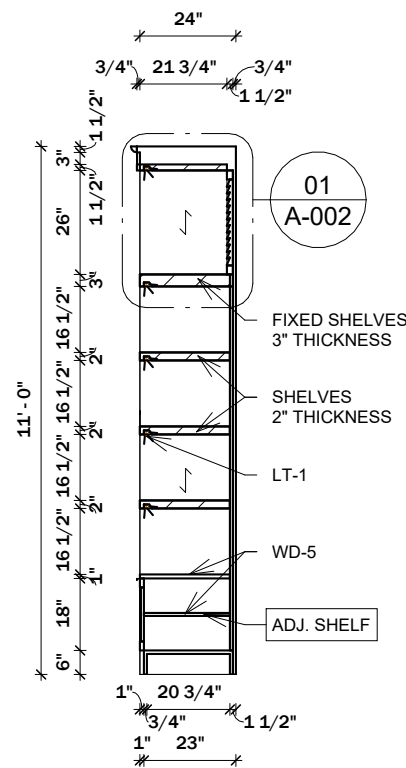
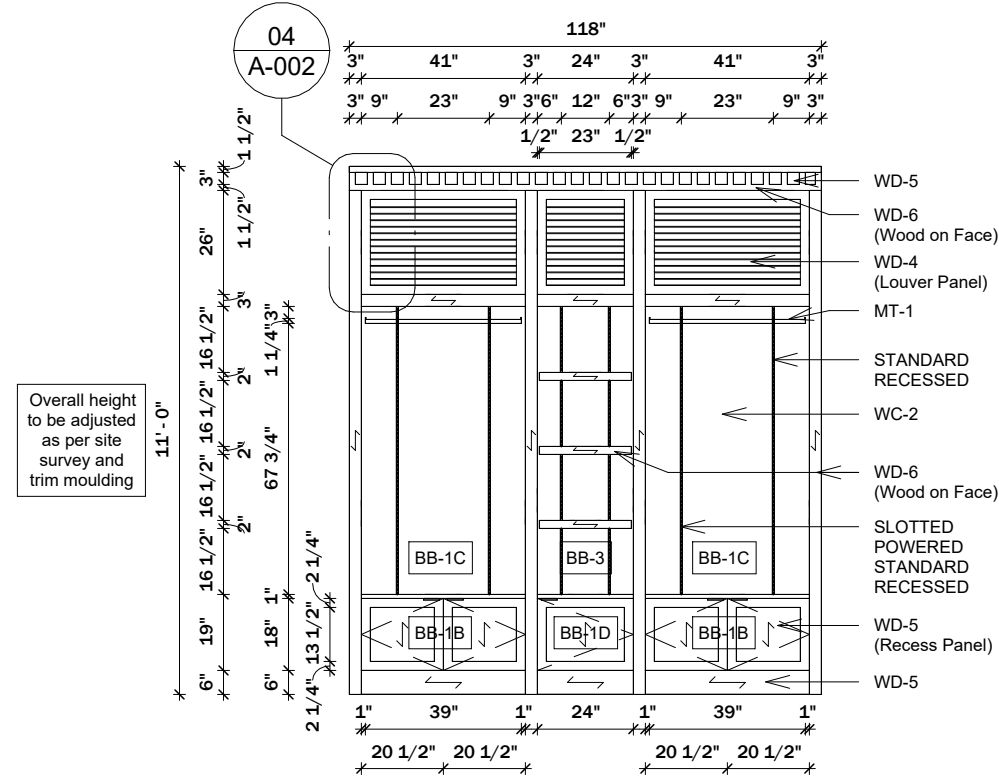


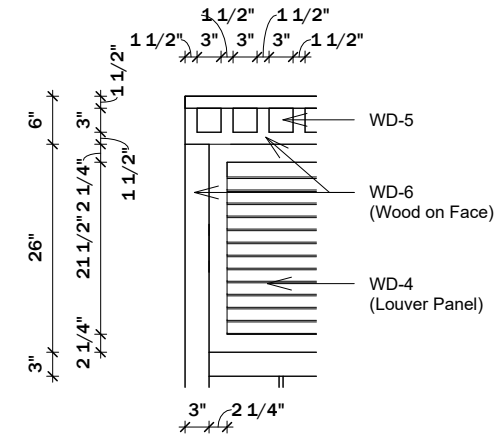
01 Detail - Section
1/2" = 1'-0"



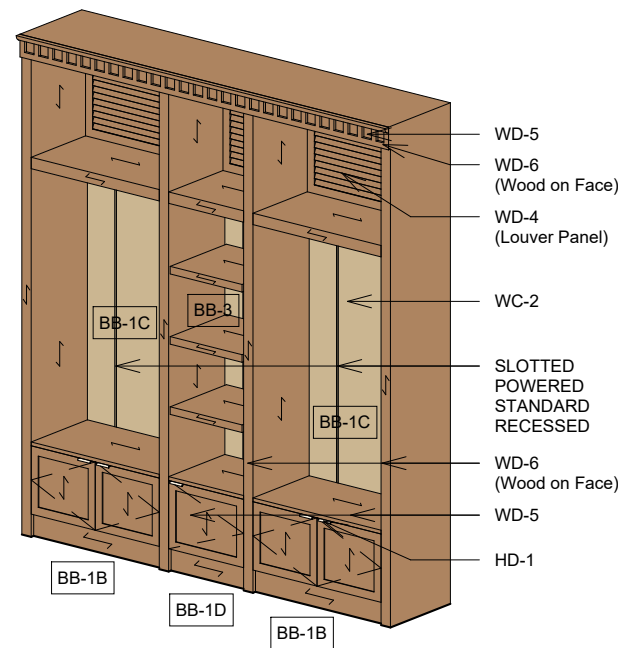
02 Vertical Section
1/4" = 1'-0"



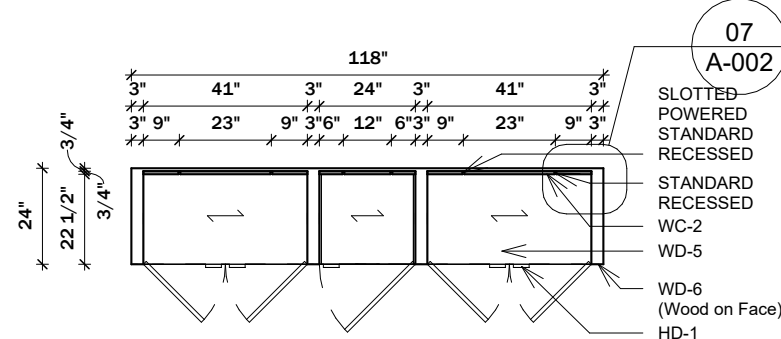
03 Front Elevation
1/4" = 1'-0"



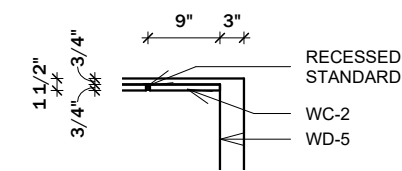
04 Detail - Elevation
1/2" = 1'-0"



05 3D View



06 Plan Section - 2
1/4" = 1'-0"



07 Detail - Recessed Standard
1/2" = 1'-0"

UNIT INCLUDES	
ITEMS	COUNT
2" - ADJUSTABLE WOOD SHELVES WITH LIGHTING & SHELF BRACKET - 23" LENGTH	03
2" - ADJUSTABLE WOOD SHELVES WITH LIGHTING & SHELF BRACKET - 40" LENGTH	04
HANGBARS - 39"	04
SADDLE BRACKETS	08

MATERIAL SCHEDULE		
TAG	MATERIAL	SPECIFICATIONS
LT-1	LED LIGHTS	LED STRIP LIGHT- 3000K
WD-4	WOOD	Wood type-TBD Color- to match WD-5 Shutters
WD-5	VENEER	Bamboo- Natural Planked- Carmelized
WD-6	WOOD SOLID	Straight Grain Solid- Stained Color- to match WD-5 Edge banding, solid trim.
WC-2	WALL COVERING	WALLPAPER - Phillip Jeffries Island- Raffia 1746 San Marino Beige (PROVIDED BY GC)
PT-1	PAINT	SHERWIN WILLIAMS CREAMY SW-7012 W/20% SHEEN
MT-1	METAL	NO. 4 BRUSHED STAINLESS STEEL
HD-1	HANDLE	HANDLE - 4" - PC FINISH - PRISMATIC POWDERS PSB-5599 FLAT BEIGE



3939 Washington Boulevard,
Baltimore, Maryland 21227-4185
Ph: (410) 242-0400
Fx: (410) 242-0475
A Division of Weitzman Industries, Inc.

Naples Beach Club- The Beach Boutique

No.	Description	Date

Item : BB-1C & BB-3 Perimeter Walls (24" & 41")
With Lighted Shelves & Base Storage

Project number	TBD	A-002
Date	11-25-2025	
Drawn by	VP	
Checked by	LD	
		Scale As indicated